



Trijicon

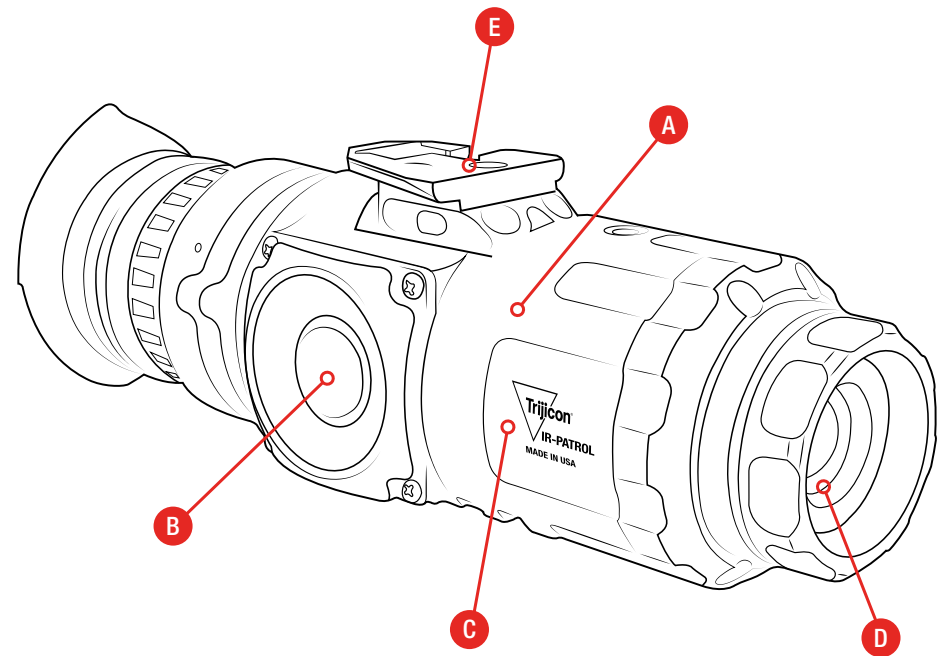
IR-PATROL®

THE MULTI-PURPOSE, HIGH-PERFORMANCE THERMAL IMAGING MONOCULAR

Whether your mission is searching for a suspect or securing your position, the Trijicon IR-PATROL® is the ideal multi-purpose thermal imaging monocular. It's compact, lightweight and rugged; offering some of the most advanced performance options on the market for a clear, sharp image. Choose from handheld, helmet-mounted or rifle-mounted IR-PATROL systems.

Features and Benefits

- A Outstanding Image Quality**
The state-of-the-art 640x480, 12 micron, 60 Hz thermal core provides exceptional clarity in complete darkness.
- B Easy-to-Use**
The miniature thumbstick, simple menu system, and user configurable quick select menu enable quick zeroing and intuitive control.
- C Built to Endure**
The machined 6061 aluminum housing was designed and tested to MIL-STD-810G for years of worry-free use in the field.
- D Manual Focus Knob**
Allows easy adjustments for optimal image definition, near and far.
- E Versatile Mounting Interface**
Allows user to use as a handheld, helmet-mounted or rifle-mounted thermal solution.



Specifications



| System | LE100 | LE100C |
|-------------------------------|--|--|
| Application | Handheld / Tripod Mounted | Handheld / Tripod Mounted |
| Sensor Resolution | 640x480 | 640x480 |
| Sensor Micron | 12 Microns | 12 Microns |
| Sensor Type | VOx Vanadium Oxide | VOx Vanadium Oxide |
| Frame Rate | 30 Hz | 30 Hz |
| Display Type | Digital OLED | Digital OLED |
| Thermal Sensitivity | < 50 mK | < 50 mK |
| Spectral Response | 8–12 Microns | 8–12 Microns |
| Field of View | 22° | 22° |
| Eye Relief | 27mm | 27mm |
| Diopter | -6 /+2 | -6 /+2 |
| Magnification / E-Zoom | 1x Optical / 8x Digital | 1x Optical / 8x Digital |
| Objective Lens | 19mm f/1.2 | 19mm f/1.2 |
| Battery Type | CR123 Lithium | CR123 Lithium |
| Battery Life | Approx. 2 Hours Per Battery | Approx. 2 Hours Per Battery |
| Environmental | -40°C to +55°C Operating -45°C to +75°C Storage | -40°C to +55°C Operating -45°C to +75°C Storage |
| Weight | 16 oz. / 454g | 16 oz. / 454g |
| Dimensions (L x H x W) | 5.95 x 2.0 x 2.95 in. | 5.95 x 2.0 x 2.95 in. |
| User Interface | Thumbstick | Thumbstick |
| Mounting Kit | ¼-20 Interface | ¼-20 Interface |
| Download Cable | | ✓ |
| Shoe Interface | | |
| Polarity / E-Zoom | ✓ | ✓ |
| Edge Detect | | |
| Image Capture | | ✓ |
| Video Out | | |
| Reticle Feature | | |
| Configuration Level | | |



| M250 | M250K |
|--|--|
| Handheld / Helmet Mounted | Handheld / Helmet Mounted |
| 640x480 | 640x480 |
| 12 Microns | 12 Microns |
| VOx Vanadium Oxide | VOx Vanadium Oxide |
| 60 Hz | 60 Hz |
| Digital OLED | Digital OLED |
| < 50 mK | < 50 mK |
| 8–12 Microns | 8–12 Microns |
| 22° | 22° |
| 27mm | 27mm |
| -6 /+2 | -6 /+2 |
| 1x Optical / 8x Digital | 1x Optical / 8x Digital |
| 19mm f/1.2 | 19mm f/1.2 |
| CR123 Lithium | CR123 Lithium |
| Approx. 2 Hours Per Battery | Approx. 2 Hours Per Battery |
| -40°C to +55°C Operating -45°C to +75°C Storage | -40°C to +55°C Operating -45°C to +75°C Storage |
| 16 oz. / 454g | 16 oz. / 454g |
| 5.95 x 2.0 x 2.95 in. | 5.95 x 2.0 x 2.95 in. |
| Thumbstick | Thumbstick |
| Wilcox® Shoe Interface | Wilcox® Shoe Interface Wilcox® Bridge Assembly |
| | ✓ |
| ✓ | ✓ |
| ✓ | ✓ |
| ✓ | ✓ |
| ✓ | ✓ |
| ✓ | ✓ |
| ✓ | ✓ |

Specifications



| System | M250XR | M300 |
|-------------------------------|--|--|
| Application | Handheld / Tripod Mounted | Handheld / Helmet Mounted / Rifle |
| Sensor Resolution | 640x480 | 640x480 |
| Sensor Micron | 12 Microns | 12 Microns |
| Sensor Type | VOx Vanadium Oxide | VOx Vanadium Oxide |
| Frame Rate | 60 Hz | 60 Hz |
| Display Type | Digital OLED | Digital OLED |
| Thermal Sensitivity | < 50 mK | < 50 mK |
| Spectral Response | 8–12 Microns | 8–12 Microns |
| Field of View | 7° | 22° |
| Eye Relief | 27mm | 27mm |
| Diopter | -6 /+2 | -6 /+2 |
| Magnification / E-Zoom | 4.5x Optical / 36x Digital | 1x Optical / 8x Digital |
| Objective Lens | 60mm f/1.25 | 19mm f/1.2 |
| Battery Type | CR123 Lithium | CR123 Lithium |
| Battery Life | Approx. 2 Hours Per Battery | Approx. 2 Hours Per Battery |
| Environmental | -40°C to +55°C Operating -45°C to +75°C Storage | -40°C to +55°C Operating -45°C to +75°C Storage |
| Weight | 27 oz. / 755g | 16 oz. / 454g |
| Dimensions (L x H x W) | 8.0 x 3.3 x 3.0 in. | 5.95 x 2.0 x 2.95 in. |
| User Interface | Thumbstick | Thumbstick |
| Mounting Kit | ¼-20 Interface | Wilcox® Shoe Interface |
| Download Cable | ✓ | |
| Shoe Interface | | ✓ |
| Polarity / E-Zoom | ✓ | ✓ |
| Edge Detect | ✓ | ✓ |
| Image Capture | ✓ | ✓ |
| Video Out | ✓ | ✓ |
| Reticle Feature | | ✓ |
| Configuration Level | ✓ | ✓ |

| M300K | M300TK |
|--|---|
| Handheld / Helmet Mounted / Rifle | Handheld / Helmet Mounted / Rifle |
| 640x480 | 640x480 |
| 12 Microns | 12 Microns |
| VOx Vanadium Oxide | VOx Vanadium Oxide |
| 60 Hz | 60 Hz |
| Digital OLED | Digital OLED |
| < 50 mK | < 50 mK |
| 8–12 Microns | 8–12 Microns |
| 22° | 22° |
| 27mm | 27mm |
| -6 /+2 | -6 /+2 |
| 1x Optical / 8x Digital | 1x Optical / 8x Digital |
| 19mm f/1.2 | 19mm f/1.2 |
| CR123 Lithium | CR123 Lithium |
| Approx. 2 Hours Per Battery | Approx. 2 Hours Per Battery |
| -40°C to +55°C Operating -45°C to +75°C Storage | -40°C to +55°C Operating -45°C to +75°C Storage |
| 16 oz. / 454g | 16 oz. / 454g |
| 5.95 x 2.0 x 2.95 in. | 5.95 x 2.0 x 2.95 in. |
| Thumbstick | Thumbstick |
| Wilcox® Shoe Interface Wilcox® Flip to Side Rifle Mount | Wilcox® Shoe Interface Wilcox® Bridge Assembly Wilcox® Flip to Side Rifle Mount |
| ✓ | ✓ |
| ✓ | ✓ |
| ✓ | ✓ |
| ✓ | ✓ |
| ✓ | ✓ |
| ✓ | ✓ |
| ✓ | ✓ |
| ✓ | ✓ |